

Striegel Maschinenbau

Inh. Klaus Striegel
Niedere Straße 36
34519 Diemelsee-Flechtendorf
Telefon 0 56 33/8 86, Fax 58 85



comer industries

SPARE PARTS LIST

Rigide Drive Axle

SERIES


120

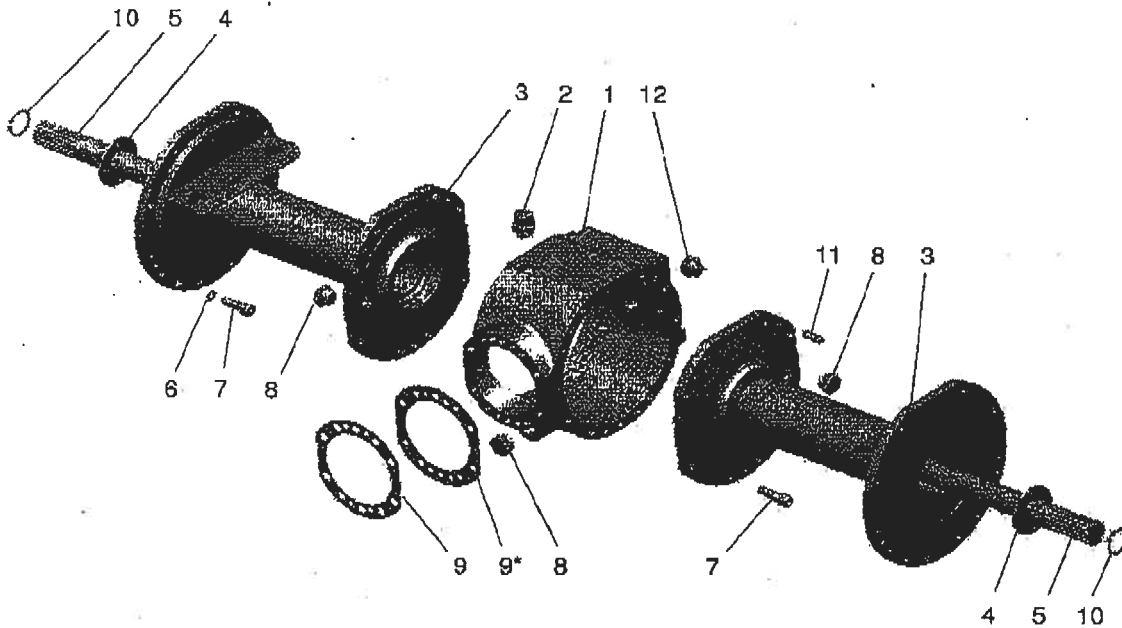
P/N 870601.A001

COMER INDUSTRIES


B.U. Axles & Wheel Drive Units
Via Magellano, 37 - I-42046 Reggio (RE) Italy
Tel. +39 0522 211611 - Fax +39 0522 211601

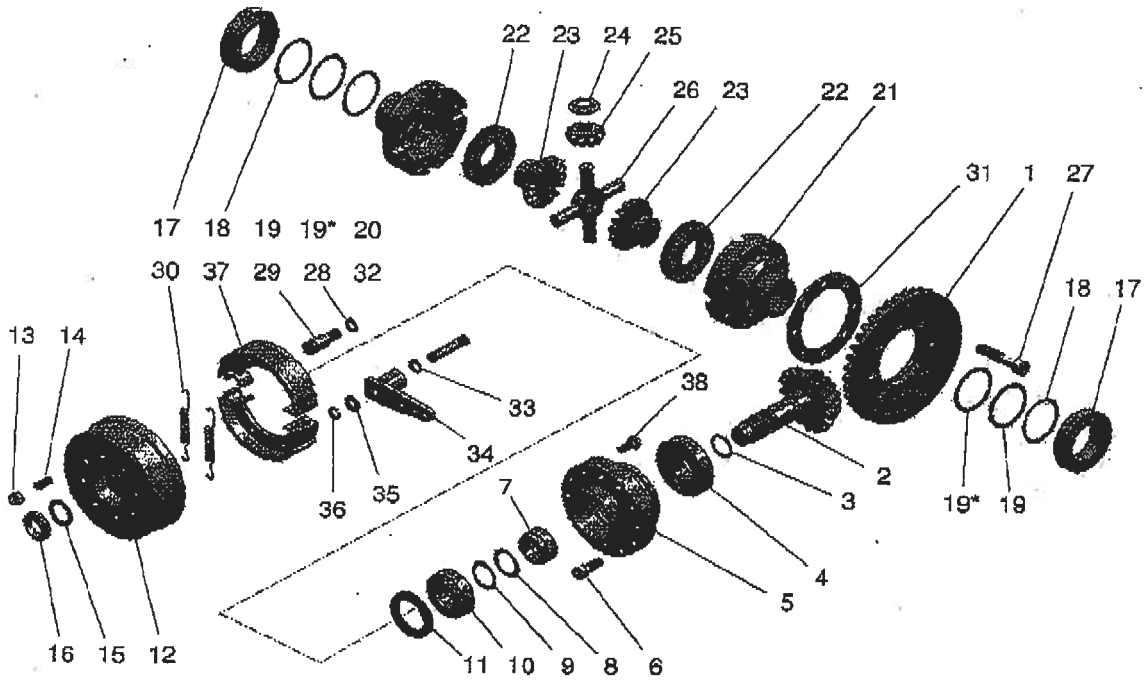
600 P/B
Vordachse

 comer industries	<i>Drive axle series S120</i> P/N 870601.A001	Issue date: 10/08 Revision: 01 Issued by: POS Checked by: POS
--	---	--



Pos.	Part number	Description	Q.ty	Pos.	Part number	Description	Q.ty
1	0000.092.423	Central housing	1				
2	9510.170.000	Oil plug M22x1,5	1				
3	0000.088.862	Side housing	2				
4	0000.155.403	Sun gear washer	2				
5	0000.111.691	Drive shaft	2				
7	0013.012.030	Socket head screw M12x30	44				
8	3123.000.022	Cap M22x1,5 DIN 909	3				
9	0000.180.199	Paper gasket 0,2	2				
9*	0000.180.265	Paper gasket 0,1	1				
10	0740.000.034	Snap ring Diam. 34	2				
11	0655.001.028	Parallel pin Ø10x30	6				
12	3123.000.022	Cap M22x1,5 DIN 909	1				


	Drive axle series S120 P/N 870601.A001	Issue date: 10/08
		Revision: 01
		Issued by: POS
		Checked by: POS

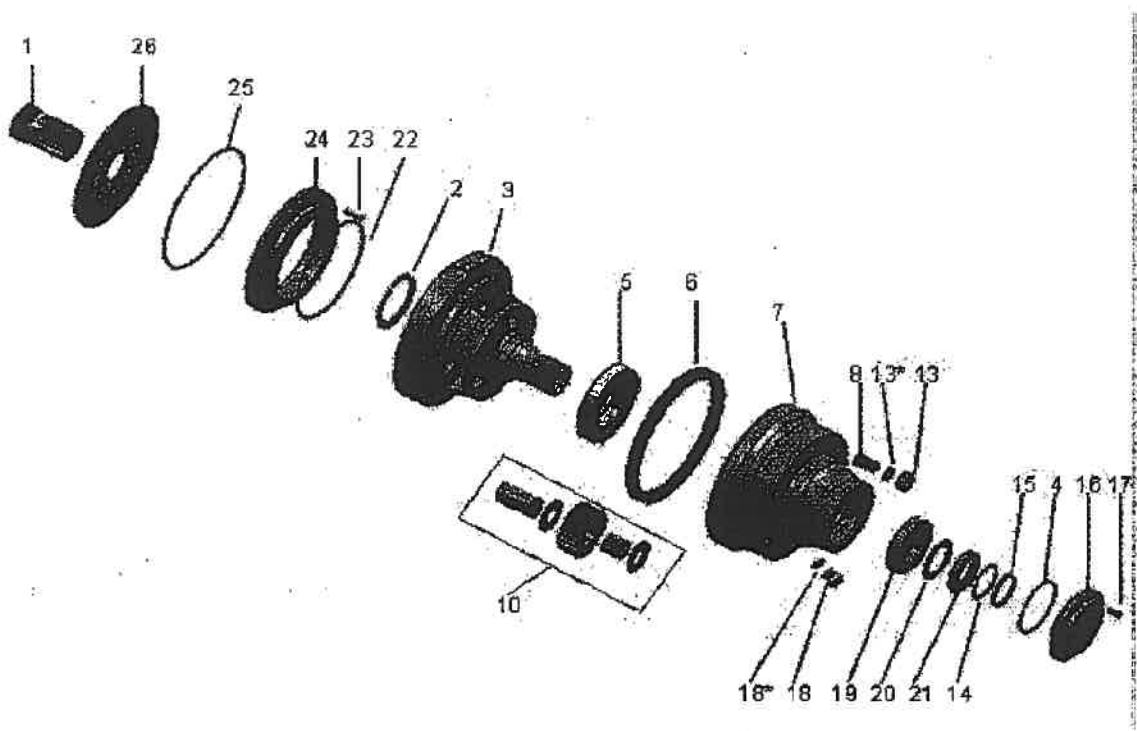


Pos.	Part number	Description	Q.ty
504.693 Pinion assembly			1
2	0000.178.134	Bevel pinion Z=17	1
3	1120.000.086	O-ring 4112	1
4	8.0.9.00128	Taper rolling bearing 30308	1
5	0000.094.441	Pinion Housing	1
7	0000.106.806	Spacer	1
8	0780.010.028	Shim PS 35x45x0,1	/
9	0780.030.268	Shim PS 35x45x0,3	/
10	8.0.9.00127	Taper rolling bearing 32207	1
11	1111.000.139	Oil seal BASL 50x72x8	1
12	0000.094.525	Flange with brake drum	1
15	0872.000.407	Shim AS 3047	1
16	0620.000.030	Self-lock nut GP M30x1,5	1
14	9390.308.000	Stud bolt M10x25	8
6	9540.380.102	Socket screw M12x45 12.9	10
13	0220.000.010	Self lock nut M10	8
17	8.0.9.01550	Taper roller bearing 32012	2
18	0000.155.412	Shim ø61x70x0,1	/
19	0000.155.413	Shim ø61x70x0,3	/
19*	0000.155.428	Shim ø61x70x0,5	/

Pos.	Part number	Description	Q.ty
504.528 Differential Assembly			1
1	0000.178.135	Bevel ring gear Z=38	1
20-21	0000.089.506	Diff. half housing	1
22	9160.130.050	LMS disc package	2
23	0000.176.055	Crown Wheel	2
24	0000.155.407	Side pinion shim	4
25	0000.176.053	Side pinion	4
26	0000.094.423	Spider	1
27	0013.014.070	Socket screw M14x70 12.9	8
31	0000.127.173	Spacer	1

Pos.	Part number	Description	Q.ty
030.456 Drum brake assembly			1
30	0000.220.201	Spring	2
34	0000.030.460	Brake lever	1
35	0000.111.621	Friction washer	1
36	0740.000.014	Snap ring E14 230-150H	1
37	0000.030.459	Brake shoe pair	1
29	0000.111.720	Brake fulcrum pin	1
32	0000.111.620	Brake lever pin	1
33	0872.000.403	Shim AS 1528	1

 comer industries	Drive axle series S120 P/N 870601.A001	Issue date: 10/08 Revision: 01 Issued by: POS Checked by: POS
--	---	--



Pos.	Part number	Description	Q.ty	Pos.	Part number	Description	Q.ty
	505.434	Wheel hub assembly	1+1				
2	0750.000.950	Snap ring diam. 95	1	13	0266.001.815	Nut M18x1,5 MF	6
3	0000.092.663	Spindle	1	13*	0435.000.018	Elastic washer D18	6
4	1120.000.134	Square ring OR-4387	1	17	9540.184.120	Socket head screw M6x16	3
5	8.0.9.01785	Bearing 30216	1		2911.000.501	Brake bleeder M10x1	1
6	1111.000.500	Oil seal BASL 220x250x15	1				
7	0000.094.419	Wheel hub	1	1	0000.172.155	Planetary gear	1
8	2292.018.035	Stud bolt M18x1,5 10.9	6		0000.155.410	Gear washer	2
10	0000.505.301	Planetary gear ass'y	3				
14	0780.020.159	Shim 55x68x0,2	2				
15	0740.000.055	Snap ring E55	1				
16	0000.092.435	Cover	1				
18	2590.000.318	Plug TC M18x1,5 DIN 908	2				
18*	0540.000.230	Washer	2				
19	8.0.9.00174	Bearing 30211	1				
20	0872.000.412	Shim AS 5578	1				
21	0600.000.055	Nut M55x2 KM11	1				
22	1122.000.020	Square ring 238-957-9707	1				
23	0655.001.028	Parallel pin diam. 10x30	3				
24	0000.092.434	Brake piston	1				
25	1122.000.040	Square ring 238-959-9707	1				
26	0000.210.501	Brake disc	1				